

## Fiber optic patch cord

### Overview

AOA offers a variety of custom Simplex, Duplex and Mini Zip, single mode(SM) and multi mode(MM) patch cords and fiber pigtail assemblies that could be built to your specification. The AOA optical fiber patch cord and pigtail range consist of FC,SC,ST,LC, MTRJ,MU,DIN,D4,and SMA single mode and multimode connectors. Please contact AOA for any custom specification patch cords or pigtails.



### Applications:

- High Speed and volume Fiber Optic Transmission Systems
- CATV Networks
- LAN
- Fiber Optic Instrumentation

### Features:

- Superior qualified standard PC/UPC/APC polishing
- 100% optic test (Insertion Loss & Return Loss)
- 0.9mm, 2.0mm and 3.0mm cable optional
- Comply to IEC Standard

### Specification:

Type	Single mode(UPC)	Single mode(APC)	Multi-mode (PC)
Insertion loss	≤0.3 dB	≤0.3dB	≤0.3dB
Return Loss	≥50 dB	≥60 dB	≥35 dB
Repeatability	≤0.1dB		
Durability	≥1000matings		
Operating Temperature	-40°Cto +80°C		
Tensile Strength(N)	≥90N (φ3), ≥70N (φ2)		

### Fiber Cable Connectors Type



## Fiber Cable Types

- Duplex zipcord style (2mm & 3mm diameter legs)
- Simplex (2mm & 3mm diameter)
- Duplex round style (2.8mm diameter)
- Duplex round style (4.8mm diameter)
- 900 micron buffered glass
- Parallel ribbon & jacketed ribbon cable

## Assembly Styles

### Duplex Connector Assembly



### Duplex Assembly with Simplex Connectors



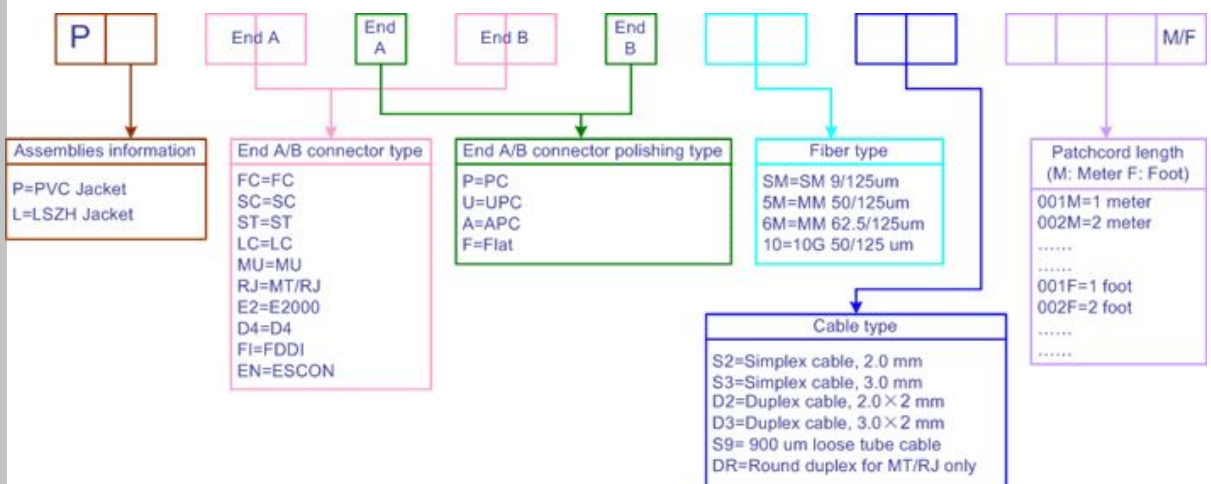
### Simplex Jumper Assembly



### Simplex Pigtail Assembly



## Ordering Information:



Patch Cord