

FET1

Fiber Entrance Terminal

Provides Demarcation Point
Between Outdoor Fiber Drop
and Customer Premise Cable

Terminates Up to Four Single
Fiber Cables

Compact, Craft-Friendly Enclosure

Adapter Plate Designed for Optimal
Bend Radius of Stored Cable

Fiber Adapter Plate Snaps Easily
Into the 169 Enclosure

Rugged Plastic Housing for
Indoor or Outdoor Applications



Tii Technologies Inc.

Corporate Headquarters:

141 Rodeo Drive
Edgewood, NY 11717
Phone: 631.789.5000 • Fax: 631.789.5063
Toll Free: 888.844.4720
sales@tiitech.com

Locations:

South March
Long March Industrial Estate
Daventry, Northamptonshire, NN11 4PH, UK
Phone: +44 (0) 1327 301853
Fax: +44 (0) 1327 879532
sales@tiitech.co.uk

Av. José de Escandón y Helguera
No. 21 Ciudad Industrial
Matamoros, Tamaulipas, C.P. 87494, México
Phone: 868.812.8011 • Fax: 868.812.8025
salesmx@tiitech.com.mx

The FET1 is a compact enclosure which is designed to provide a demarcation and transition point between fiber drop cable and the customer premise fiber cable. Designed as an adapter plate for the Tii 169 Sealed Wire Terminal Enclosure, the unit can be factory installed with industry standard single, dual or quad fiber coupler(s). The internal fiber routing system allows for proper bend radius and slack storage of bend insensitive fiber.

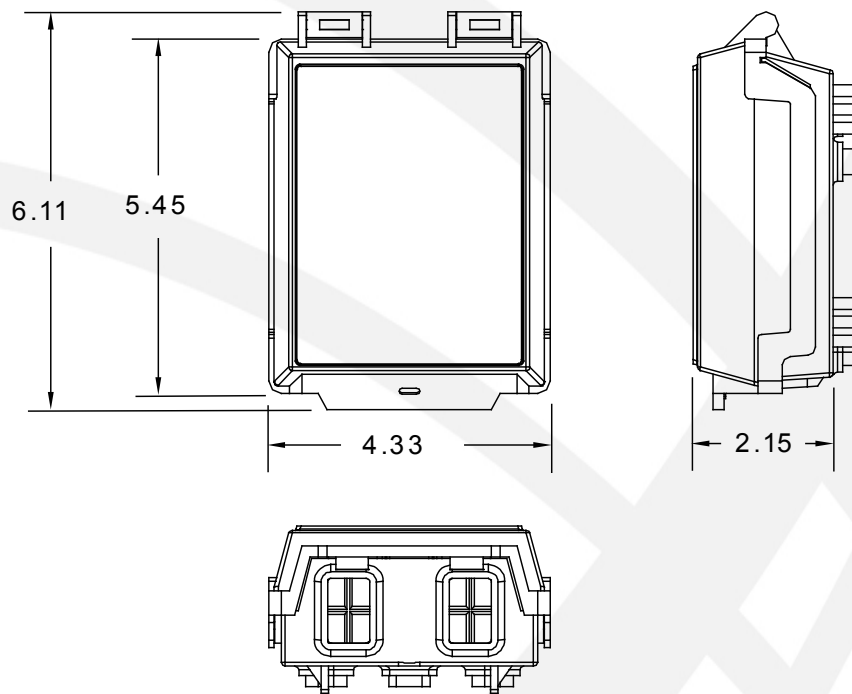
KEY PRODUCT BENEFITS

- ▶ Indoor/outdoor for wall or pole mounting
- ▶ Modular adapter plate snaps easily into existing FET1 enclosure
- ▶ Compact unit can terminate and store up to single fiber cable drops
- ▶ One, two, or four LC, SC, SC-APC adapters for OSP to customer fiber transition
- ▶ Unique design allows for proper bend radius and strain relief of fiber cable
- ▶ The FET1 features patented scalloped sides designed to provide easy internal access to the enclosure.
- ▶ Compact, low profile design for applications where space is limited

INDUSTRY STANDARDS

- ▶ Meets GR-771 requirements

FET1



Dimensions are in Inches

ORDERING INFORMATION Model Number Matrix

FET1G-	XX	X	XX	X
	Fibers	Fiber Type	Adapters	Loading Configuration
	01	R - Singlemode	LC - LC	N - Patch Only
	02	K - MM62.5 OM1	SC - SC	9 - 900um Pigtailed Splice Chip
	03	S - MM50 OM3	SA - SC APC	(2 port maximum)
	04*		NA - None	

** Patch & splice configuration 2 port maximum, patch only configuration up to 4 fiber ports*